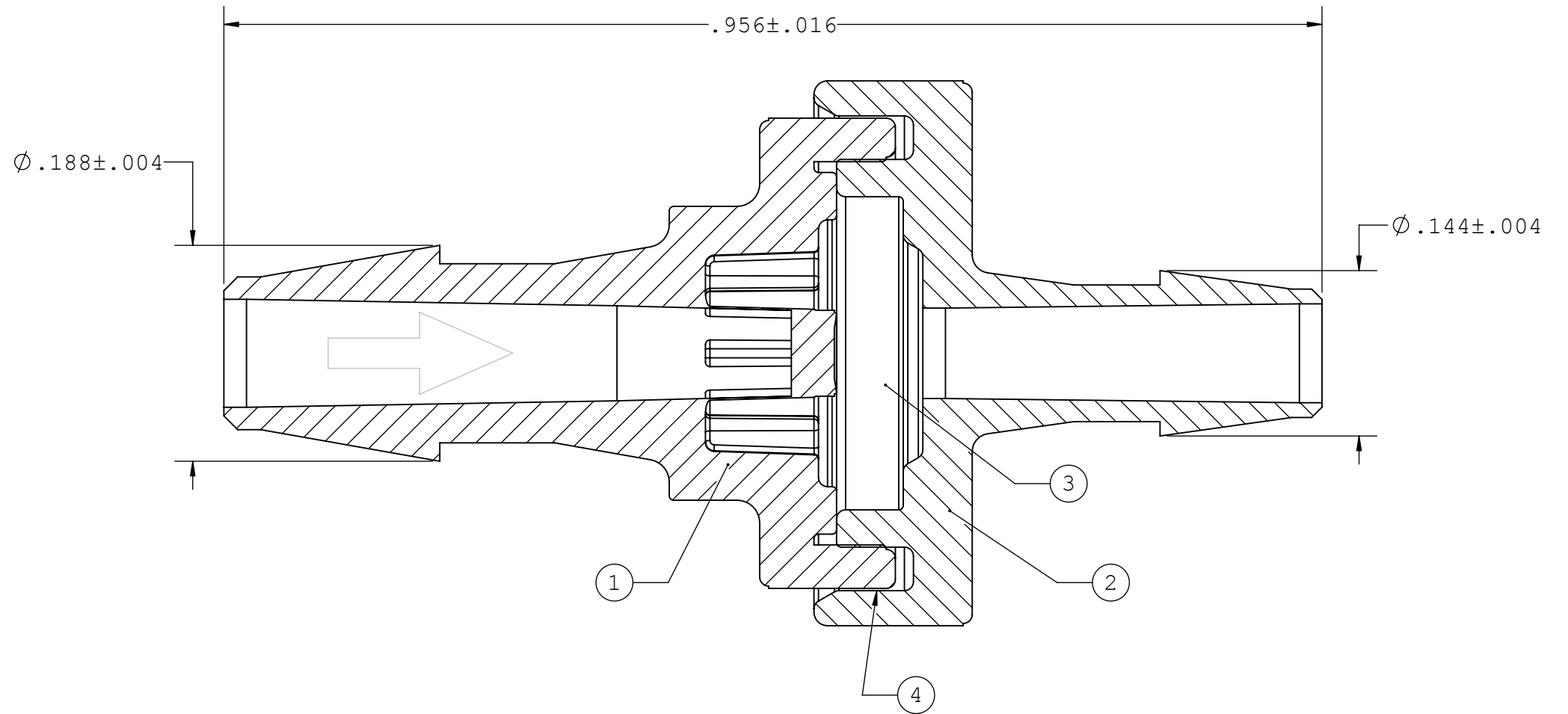
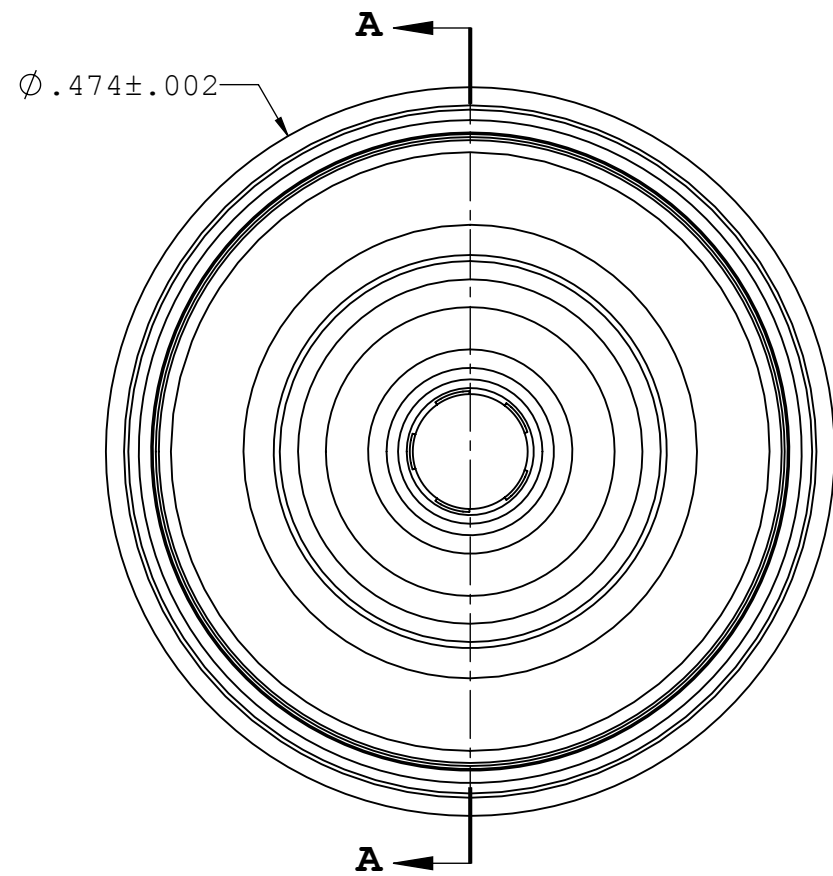
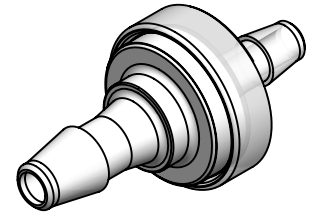


NOTES: FOR ADDITIONAL DETAILS, PLEASE CONTACT VP CUSTOMER SERVICE  
 DIMENSIONS MARKED  $\varnothing$  ARE CONTROL DIMENSIONS

REVISIONS			
REV.	DESCRIPTION	DATE	APPROVED
A	INITIAL RELEASE	06/07/13	S.N.R



SECTION A-A

SCV67230/220 Bill Of Materials			
POS.	QTY	DESCRIPTION	MATERIAL, COLOR
1	1	Check Valve V2000 Inlet with Barb 1/8" (3.2 mm) I.D. Tubing	MABS White
2	1	Check Valve V2000 Outlet with Barb 3/32" (2.4 mm) I.D. Tubing	MABS, Transparent
3	1	Valve Membrane V2000 IV, 60A Durometer	Silicone, Transparent
4	pc	Solvent	Tetrahydrofurane

UNLESS OTHERWISE SPECIFIED DIMENSIONS ARE IN INCHES TOLERANCES ARE: FRACTIONS    DECIMAL    ANGULAR ±            .XX ±.01    ± 1° .XXX ±.005 .XXXX ±.001 DO NOT SCALE DRAWING		<b>VALUE PLASTICS, INC</b>			
DRAWN BY: kyles		DATE: 6/7/2013		PART NUMBER: SCV67230/220	
MANAGER: RaviN		SIZE: <b>B</b>	SCALE: NTS	VER: 	DWG. NO. 1027177
© 2011 VALUE PLASTICS, INC				REVISION: Check Valve, Barb 1/8" (3.2 mm) ID Tubing to Barb 3/32" (2.4 mm) ID Tubing	
				REV A	
				SHEET: 1 OF 1	

**FOR REFERENCE ONLY**